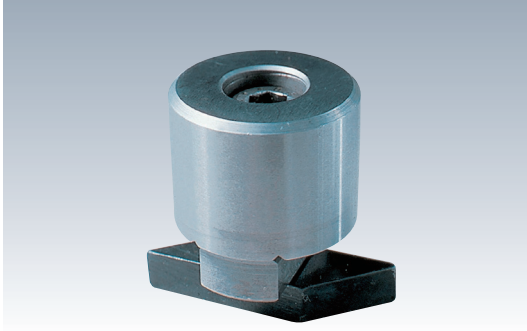
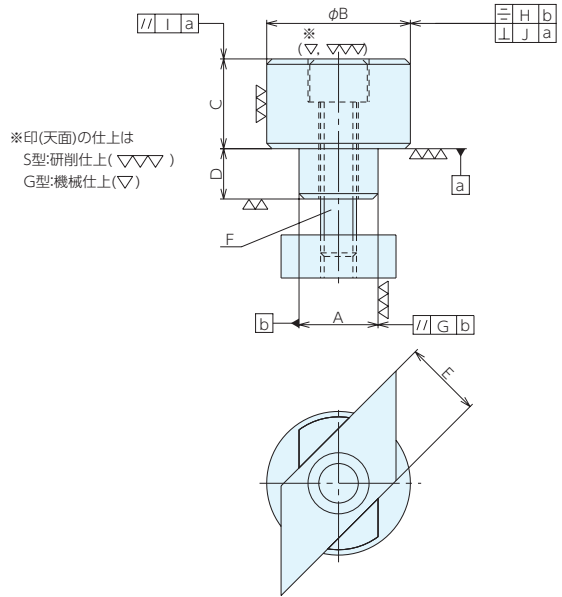


# ロケートシリンダー (位置決めストッパー) RoHS対応

LOCATING CYLINDERS No.E-9419



- 材質** 本体:SCM420 菱形ナット:S45C-D  
**熱処理** 本体:焼入 HRC56 ± 2  
**表面処理** 菱形ナット:黒染め



## 仕様・価格表

\* 標準在庫品

オーダーNo.	No.	A	B	C	D	E	F(並目)	G	H	I	J	質量g	価格
* 934442	LS 1015S	10 <sup>-0.011</sup>	20 <sup>±0.01</sup>	15 <sup>±0.01</sup>	5.3	9.6	M 6×1.0 ×25	0.01	0.01	0.01	0.01	55	9,600
* 934443	LS 1025G	10 <sup>-0.011</sup>	20 <sup>±0.01</sup>	25 <sup>±0.2</sup>	5.3	9.6	M 6×1.0 ×35	0.01	0.01	-	0.01	80	10,500
* 903380	LS 1215S	12 <sup>-0.011</sup>	20 <sup>±0.01</sup>	15 <sup>±0.01</sup>	5.3	11.6	M 6×1.0 ×25	0.01	0.01	0.01	0.01	55	9,750
* 903381	LS 1225G	12 <sup>-0.011</sup>	20 <sup>±0.01</sup>	25 <sup>±0.2</sup>	5.3	11.6	M 6×1.0 ×35	0.01	0.01	-	0.01	80	10,800
* 903382	LS 1425S	14 <sup>-0.011</sup>	32 <sup>±0.01</sup>	25 <sup>±0.01</sup>	7.6	13.6	M 8×1.25×35	0.01	0.01	0.01	0.01	200	11,200
* 903383	LS 1450G	14 <sup>-0.011</sup>	32 <sup>±0.01</sup>	50 <sup>±0.2</sup>	7.6	13.6	M 8×1.25×60	0.01	0.01	-	0.01	355	12,400
* 903384	LS 1625S	16 <sup>-0.011</sup>	32 <sup>±0.01</sup>	25 <sup>±0.01</sup>	10	15.6	M 8×1.25×40	0.01	0.01	0.01	0.01	220	12,500
* 903385	LS 1650G	16 <sup>-0.011</sup>	32 <sup>±0.01</sup>	50 <sup>±0.2</sup>	10	15.6	M 8×1.25×75	0.01	0.01	-	0.01	375	13,800
* 903386	LS 1825S	18 <sup>-0.011</sup>	40 <sup>±0.01</sup>	25 <sup>±0.01</sup>	12.3	17.6	M10×1.5 ×40	0.01	0.01	0.01	0.01	360	15,100
* 930256	LS 1835G	18 <sup>-0.011</sup>	40 <sup>±0.01</sup>	35 <sup>±0.2</sup>	14	17.6	M10×1.5 ×50	0.01	0.01	-	0.01	460	16,300
* 903387	LS 1850G	18 <sup>-0.011</sup>	40 <sup>±0.01</sup>	50 <sup>±0.2</sup>	12.3	17.6	M10×1.5 ×65	0.01	0.01	-	0.01	600	16,500
* 930257	LS 1875G	18 <sup>-0.011</sup>	40 <sup>±0.01</sup>	75 <sup>±0.2</sup>	14	17.6	M10×1.5 ×90	0.01	0.01	-	0.01	850	20,400
* 932024	LS 2025S	20 <sup>-0.013</sup>	40 <sup>±0.01</sup>	25 <sup>±0.01</sup>	14	19.6	M10×1.5 ×45	0.01	0.01	0.01	0.01	380	16,600
* 932025	LS 2050G	20 <sup>-0.013</sup>	40 <sup>±0.01</sup>	50 <sup>±0.2</sup>	14	19.6	M10×1.5 ×70	0.01	0.01	-	0.01	630	19,200
* 932026	LS 2075G	20 <sup>-0.013</sup>	40 <sup>±0.01</sup>	75 <sup>±0.2</sup>	14	19.6	M10×1.5 ×95	0.01	0.01	-	0.01	870	21,800
* 903388	LS 2225S	22 <sup>-0.013</sup>	40 <sup>±0.01</sup>	25 <sup>±0.01</sup>	14	21.6	M10×1.5 ×50	0.01	0.01	0.01	0.01	410	17,800
* 903389	LS 2250G	22 <sup>-0.013</sup>	40 <sup>±0.01</sup>	50 <sup>±0.2</sup>	14	21.6	M10×1.5 ×75	0.01	0.01	-	0.01	650	19,500
* 930258	LS 2275G	22 <sup>-0.013</sup>	60 <sup>±0.01</sup>	75 <sup>±0.2</sup>	18	21.6	M12×1.75×95	0.01	0.01	-	0.01	1760	22,300
* 930259	LS22100G	22 <sup>-0.013</sup>	60 <sup>±0.01</sup>	100 <sup>±0.2</sup>	18	21.6	M12×1.75×120	0.01	0.01	-	0.01	2310	25,100
* 930260	LS22125G	22 <sup>-0.013</sup>	60 <sup>±0.01</sup>	125 <sup>±0.2</sup>	18	21.6	M12×1.75×145	0.01	0.01	-	0.01	2860	28,200

## 使用例

